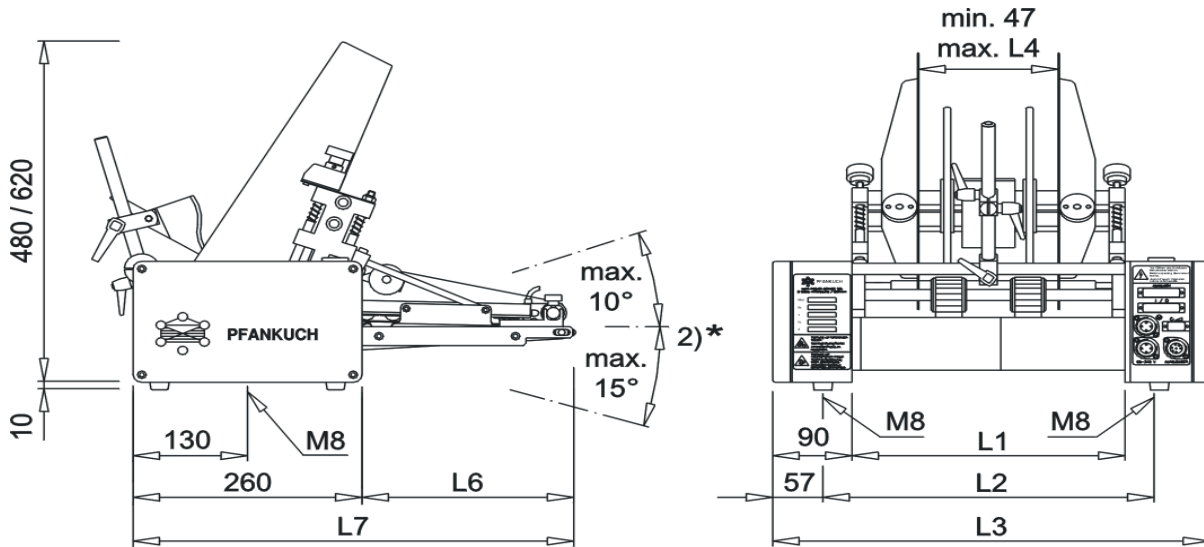
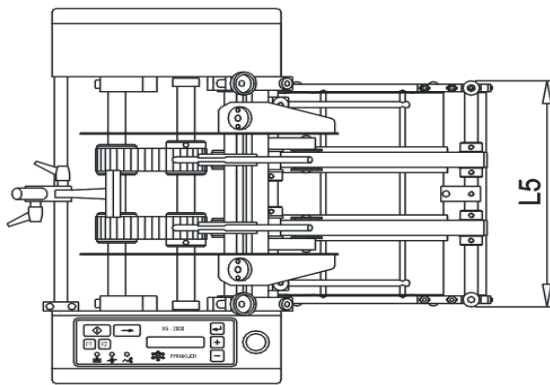


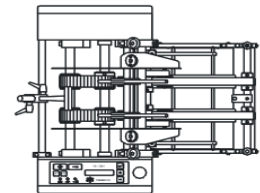
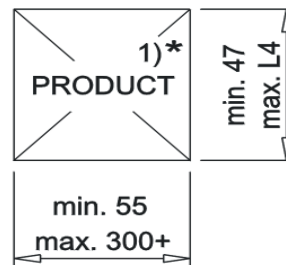
Technical Data ASB –KL/ -KR High Speed (HS)



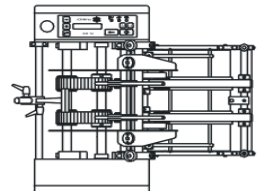
ASB –KL HS
CONTROL UNIT RIGHT



PRODUCTION
FLOW →



ASB –KR HS
CONTROL UNIT LEFT



- 1)* Other dimensions possible on request
2)* Other angle of inclination possible on request

Feeder Model	L1 (mm)	L2 (mm)	L3 (mm)	L4 (mm)	L5 (mm)	Max. Speed (depending on product specs.)	Weight (net Kg)
ASB 175-K-HS	175	241	361	95	165	220 m/min.	24
ASB 310-K-HS	310	376	496	230	300	220 m/min.	29
ASB 380-K-HS	380	446	566	300	370	220 m/min.	36
ASB 450-K-HS	450	516	636	370	440	220 m/min.	43

Horizontal Delivery	L6 (mm)	L7 (mm)
Type 150	245	505
Type 380	505	765
Type 500	620	880

Multi Voltage : 400 V, 50-60 HZ, 1 KW (other voltage possible on request)
Drive : Servo Motor
Separate Control Cabinet : 500 x 500 x 210 mm



PFANKUCH MASCHINEN GMBH
Kurt-Fischer-Str. 23b
D – 22926 Ahrensburg
Tel. +49 (0) 4102-47810
Fax +49 (0) 4102-478180
www.pfankuch-maschinen.com
info@pfankuch-maschinen.com